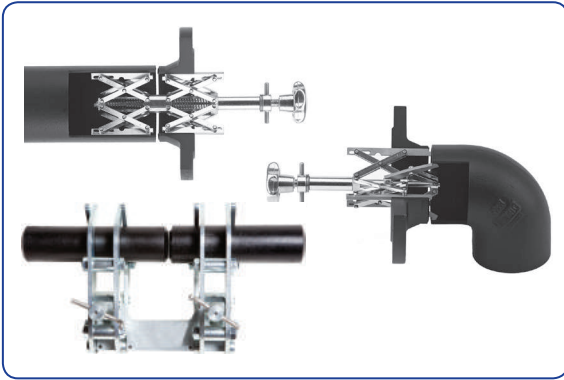


PIPE ALIGNMENT CLAMPS



TAG 'E-Z' Fit Spider Internal Alignment Clamps

10mm - 940mm i/d

A new addition to our range of welding fit-up clamps is the Spider series of internal clamps. These i/d locking clamps enable one man operation in the fit-up of a variety of fittings, including elbows, flanges, T-Pieces from 10mm to 940mm i/d.

The unique locking system enables the operator to make minor adjustment to the fit-up prior to welding. When you need rapid and precise fit-ups, the Spider series of pipe clamps are the answer.

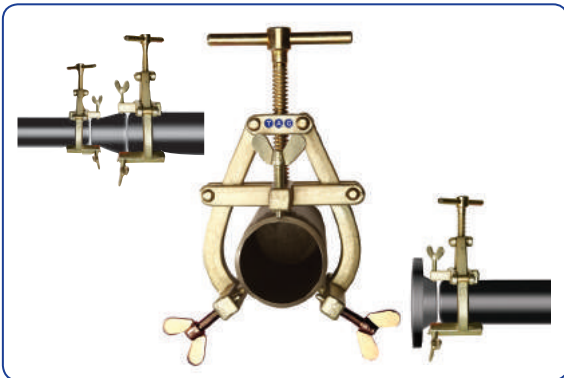


TAG 'E-Z' Fit Red Pipe Clamps

1" - 12" o/d

As the name suggests the "E-Z" Fit Pipe Clamps are quick and easy to use. Three sizes of clamps are available covering a range of pipe from 1" to 12" nominal bore. Instant centring combines speed accuracy and safety. These clamps are used on pipe to pipe, flanges, elbows, "T" pieces and reducers.

The 'E-Z' Fit Pipe Clamps can be used on stainless steel without any additional accessories due to the feet and screws being made from stainless steel, preventing contamination of the pipe.



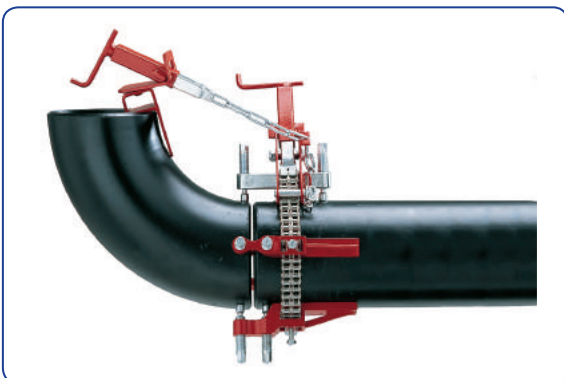
TAG 'E-Z' Fit Gold Pipe Clamps

1" - 14" o/d

A new addition to the 'E-Z' Fit range is the 'E-Z' Fit Gold series, boasting an increased range of up to 14" o/d and manufactured from forged steel for increased strength.

Stainless steel roller balls are fitted as standard to the wing bolts.

The 'E-Z' Fit Gold Clamps can be used on stainless steel by fitting the optional stainless steel feet to prevent contamination.

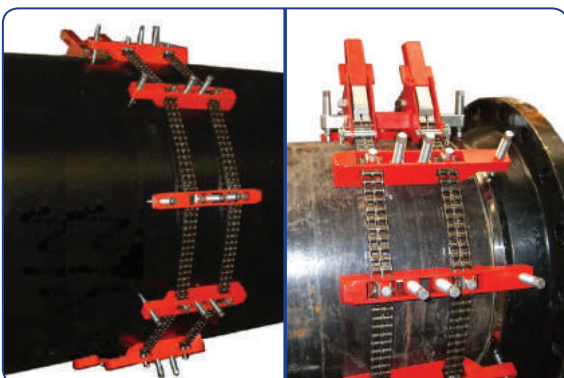


TAG 'E-Z' Fit Single Chain Pipe Clamps

1" - 72" o/d

Designed to offer the welder the best of both worlds. Firstly, a clamp with the strength and ability to align and lightly reform pipes, and secondly, lightweight design and construction for ease of use. The feet of the clamp can be positioned equally around the chain to achieve an accurate pipe alignment in very little time.

The 'E-Z' Fit Single Chain Clamp can fit up elbows, T-pieces, flanges, end caps and most other pipe fittings. Models are available for carbon and stainless steel.



TAG 'E-Z' Fit Double Chain Pipe Clamps

10" - 240" o/d

Our 'E-Z' Fit range of Double Chain Clamps are designed for the aligning and reforming of pipes and vessels with diameters up to 6 meters (20') with large schedules, our design can reform up to schedule 80 and align all schedules. Our specialised heavy duty clamping feet and double chain lock devices can deal with the most difficult of reforming jobs with operational ease. These clamps can be supplied for use with Carbon or Stainless Steel and all clamps are supplied in their own durable colour coded storage cases. These clamps are the strongest on the market.